

Six hole shear tie bracket with drop forged fitting

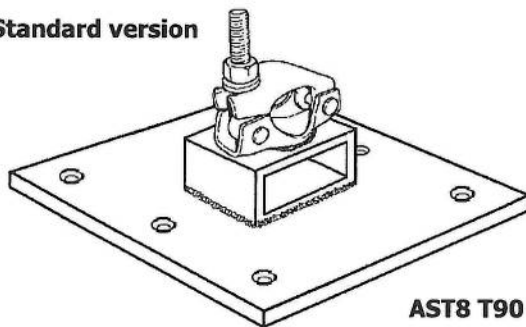
Email: info@scaffoldingsupplies.co.uk
www.scaffoldingsupplies.co.uk

- Use for applications where raking scaffolding away from structures is required
- Use for punching tubes vertically or horizontally along a wall
- For use in edge protection applications
- Use in applications to support aluminium and steel beams

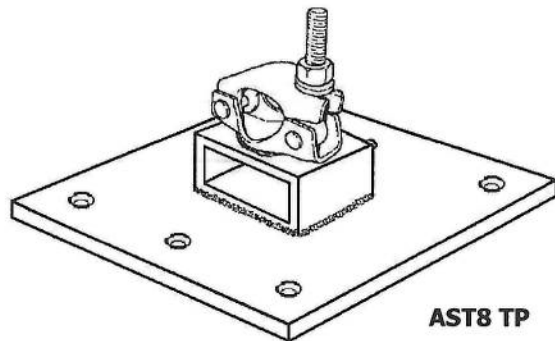
The rear of a scaffold tube will be 68 mm from the face of the structure.
In most applications use only two 12 mm fixing for a high load capacity into concrete, brick and blockwork.
Supplied in a zinc finish.

AST8 T90 is the standard version and all orders will be supplied as the default stock product with the fitting positioned as illustrated unless advised otherwise

Standard version



AST8 T90



AST8 TP

In low density materials the AST bracket provides the option for all four fixing holes to be used for further distribution of the shear or tensile loads. The four corner holes are spaced at 150 mm apart allowing the fixings to connect into either two different mortar bed joints or into four different bricks. The smaller centrally positioned holes are for special application such as fixing onto concrete floor edges that may be only 125-150 mm in height.

Dimensions

Plate,
AST8: 185x185x8 mm; Box section: 50x50x5 mm

Hole spacing's

The corner holes are 150 mm apart horizontally and vertically.

The 2 no. 14 mm holes centrally positioned = 92.5 mm from the furthest edges

Fitting details

Drop forged fitting independently tested with minimum slip rating of 19 kN.

Slip rating of the drop forged fitting

The fitting complies with BS5973:1993 as a Class A fitting with a safe working slip load of 6.1 kN

Fix the AST bracket onto most masonry substrates using either a 10 mm or 12 mm diameter Apollobolts.



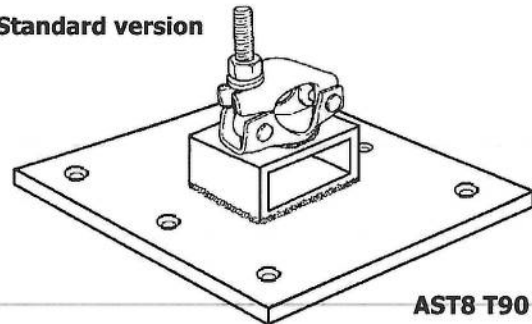
Six hole shear tie bracket with drop forged fitting

AST8 T90

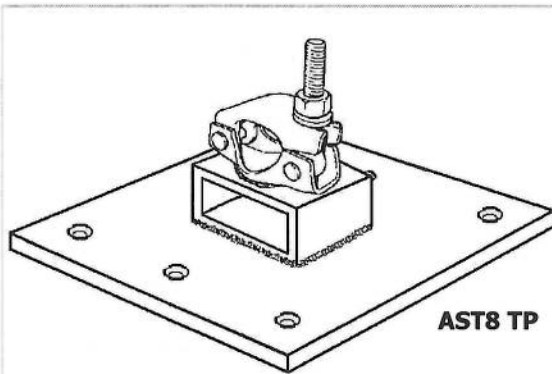
The standard design.
Please state at the time of ordering if you require the non standard version the AST8 TP as illustrated below.

The AST8 T90 will always be supplied unless otherwise requested.

Standard version



AST8 T90



AST8 TP

AST8 TP

Please state at the time of ordering if you require the non standard version the AST8 TP as illustrated on the left.

Test results details for the AST bracket

Test data provided by Bodycote's Materials Engineering Ltd.

Type of load	Maximum load applied before complete failure of the bracket kN	Mode of failure at maximum load	Characteristic load of the AST8 kN	Safe Working load kN AST8	
Tension	55	Bracket base plate deformed	15	8	10
Shear	45	Bracket base plate deformed	15	8	10
Compression	70	No visual damage	30	12	12